

Aiming at highest quality ophthalmic care,
from anterior segment to fundus...

Here we present 300XL

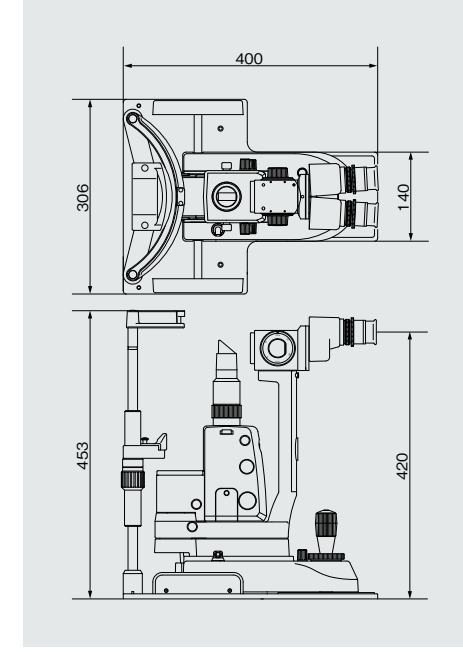


We, at **TAKAGI**, created the slitlamp microscope 300XL with our comprehensive technology and years of experience. Being equipped with both well-balanced optical performance and ease of use, 300XL promises a more comfortable examination and treatment environment. Now, 300XL marks the beginning of a new era in ophthalmic care.

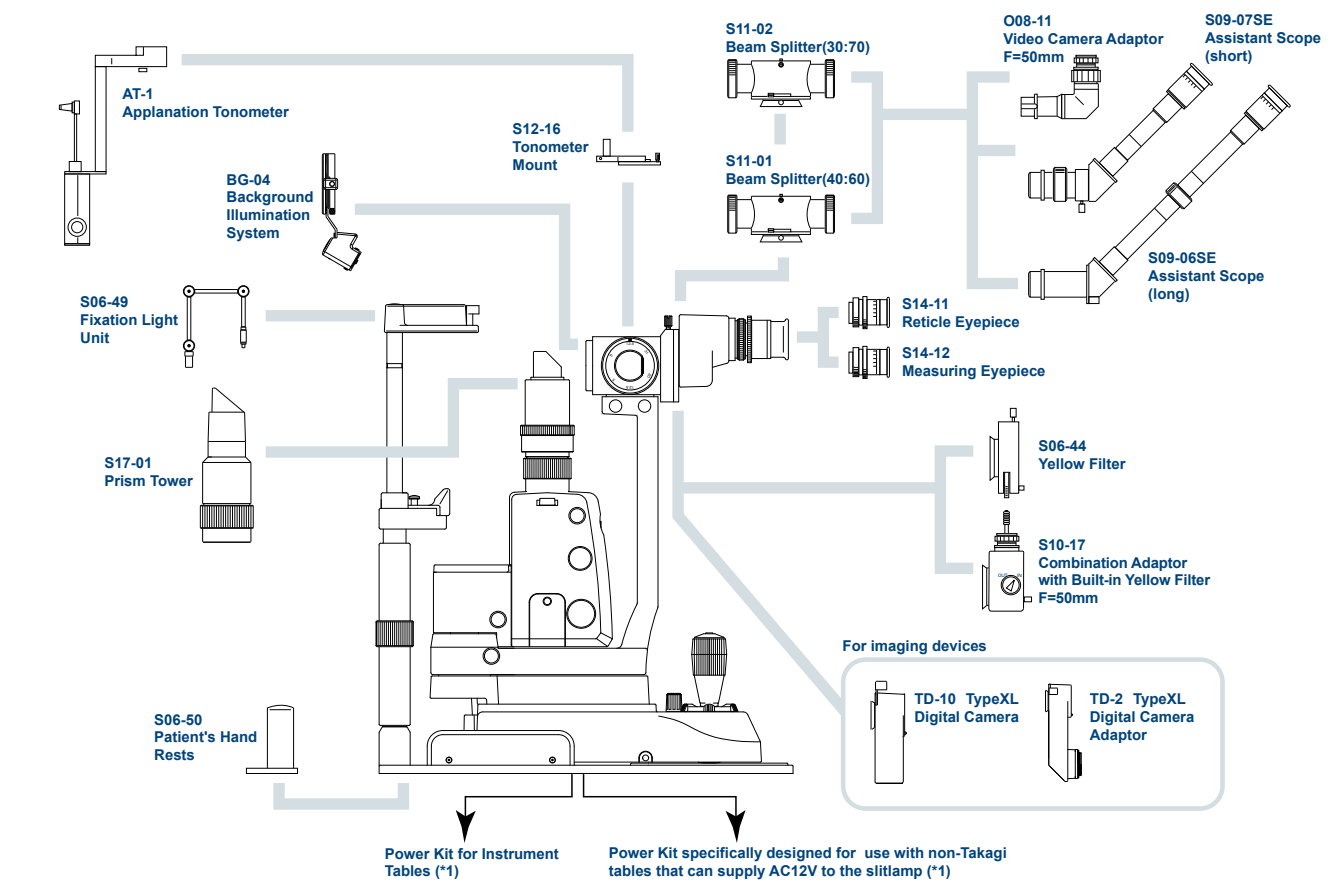
Major Specifications

Microscope	Type	Galilean converging binocular stereomicroscope
	Magnification changer	Five-position rotating drum
	Eyepieces	12.5x wide-field, high-eyepoint
	Total magnification	5x, 8x, 12.5x, 20x, 31x
	Real field of view (diameter)	45mm, 28mm, 18mm, 11mm, 7mm
	Interpupillary adjustment	52 - 85mm
Base Unit	Diopter adjustment range	+/- 5 diopters
	Longitudinal (coarse) movement	110mm
	Lateral (coarse) movement	110mm
	Horizontal (fine) movement	15mm
	Vertical movement	30mm
Chinrest Unit	Elevation stroke	70mm
Illumination Unit	Slit width	0-10mm continuously variable (at 10mm, slit becomes a circle)
	Aperture diaphragm (diameter)	10mm, 7mm, 5mm, 3mm, 1mm, 0.3mm
	Filters	HA (heat-absorbing), G (red-free), B (excitation)
	Light source	12V 30W halogen bulb
Power Unit	Input voltage	AC100V - 240V (+/- 10%)
	Power consumption	98VA (+/- 10% max.)
Fixation Light Unit (Optional Accessory)	Fixation light source	Red LED
Weight	Weight	14kg

Dimensions



Optional Components



*1: For further information on power kits, contact our Sales Department.
● Design and specifications are subject to change as improvements are made to the product.



Slitlamp Microscope 300XL

S e r v i n g y o u r v i s i o n



Slitlamp Microscope 300XL

Moving towards a New Standard in Ophthalmic Care

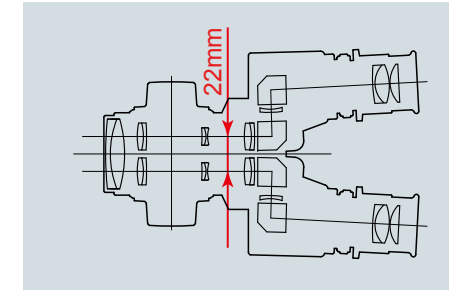


300XL has been created by further upgrading the critically acclaimed N-series to become the new standard for slitlamps used in ophthalmic examination and treatment. Here is a slitlamp microscope with all the features that ophthalmologists have been wishing for.

1 22mm Inter-optical Path Distance

As a general rule, the longer the distance between the two optical paths, the better the stereoscopic view, but the narrower the binocular field of view in fundus examination. In reverse, the shorter the distance between the optical paths, the poorer the stereoscopic view, but the wider the binocular field of view in fundus examination.

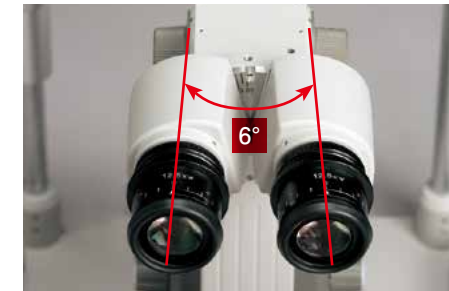
With this in mind, we have achieved optics suitable for fundus examination by choosing the optimal 22mm as the inter-optical path distance.



2 Converging Binocular Tubes

300XL's binocular tubes with a 6-degree convergence provide easy binocular fusion, ensuring stress-free observation.

Advanced multi-coating is applied to all lenses used in the microscope for excellent optical performance; bright images free from flare and ghost are obtained, improving the quality of examination and treatment.



3 New Helicoid Mechanism

As the diopter adjustment rings do not rotate with the eye caps, the selected diopters will not be accidentally changed during use.

In addition, the 12.5x high-eyepoint wide-field eyepieces enable observation over a wider field.



4 Base-lock Mechanism

The lock ring at the foot of the joystick easily locks and releases the longitudinal and lateral movement of the base unit.



5 Joystick Handle and Pushbutton

New joystick design uses silver metallic and molded resin finish. The new ergonomic mechanism used in the pushbutton has improved ease of operation.



6 Illumination Unit - Designed with Ease of Use in Mind

The filter dial, slit-length adjusting knob, slit rotation knob, and slit-width adjusting knob on the illumination unit are arranged for ease of use.

The slit-width adjusting knob can be rotated endlessly, and allows the slit width to be varied continuously from fully closed to fully open.



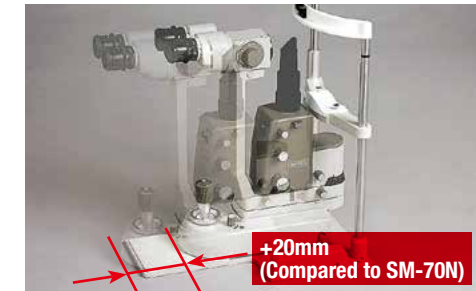
7 Lower Chinrest Position

With the entire 70mm range of the chinrest elevation being lowered by 15mm, the 300XL can accommodate more diverse examinees than existing models.



8 Longitudinal Travel of the Base Unit

The longitudinal movement range of the base unit is longer than conventional models (such as SM-70N) by 20mm. This will secure enough space between the patient and the microscope, allowing easier focusing and use of an indirect lens for fundus examination.



9 Headrest/Finger Rest

The 300XL's headrest serves not only as a patient's headrest but also as a finger rest for the examiner holding an indirect lens upon fundus examination. The finger rest feature is designed such that the examiner can hold the indirect lens steady. It also reduces arm fatigue from lengthy fundus examination.



10 Focusing Rod and Prism Tower with Tilting Mechanism; Both Standard Features

Tilting of the slit beam is crucial when viewing temporal or nasal peripheral fundus. 300XL offers a prism tower with tilting mechanism as a standard feature.

Exact focusing is essential for examination and treatment. To achieve exact focusing, precise diopter adjustment is required. The 300XL comes with a focusing rod as standard equipment. When the focusing rod is not in use, the lid can be closed to prevent eye drops or dust from getting inside the slitlamp.



11 Sophisticated Technology and Performance

300XL has been chosen by a leading ophthalmic laser manufacturer to be used as the slitlamp for their retinal photocoagulation laser system, a system that demands high optical performance. This is recognition of Takagi's high level of technical capabilities and the 300XL's exceptional performance.

